



Lighten cooker

4. Create a harness with four Installer's straps.
5. Twist the harness and tilt the cooker to place the harness.

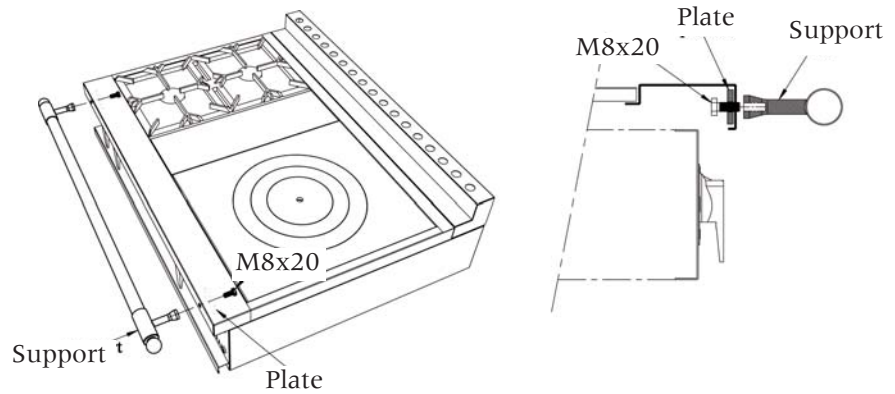


6. When lifting up stairs, the straps of the handlers at the bottom should be shorter so the cooker stays level.
The back of the cooker should always face the inside side of the ramp.

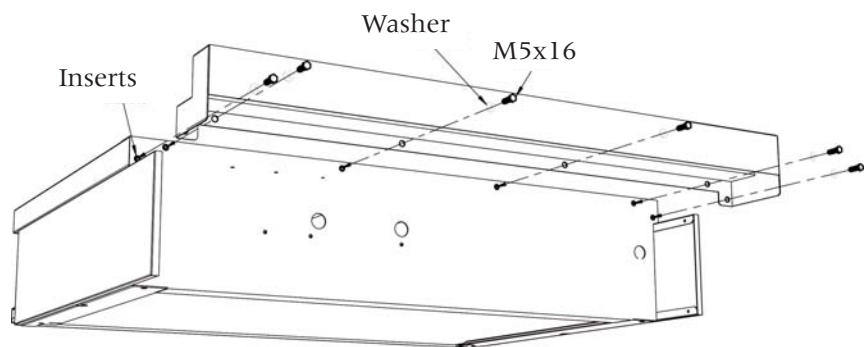


ASSEMBLY INSTRUCTIONS

1. HANDRAIL INSTALLATION



2. RISER / BACKSPLASH INSTALLATION



3. HEIGHT ADJUSTMENT

Château cookers are equipped with adjustable legs so the height of the cooktop can vary from 895 mm (35.24 in) to 915 mm (36.02 in).
 Remove the drawers and plinthes/toe-kicks, set the cooker in place, screw up the central legs so the cooker rests on the outside legs and adjust the height.
 Once the cooker is resting at the right height and is level, screw down the central legs to balance the weight.

