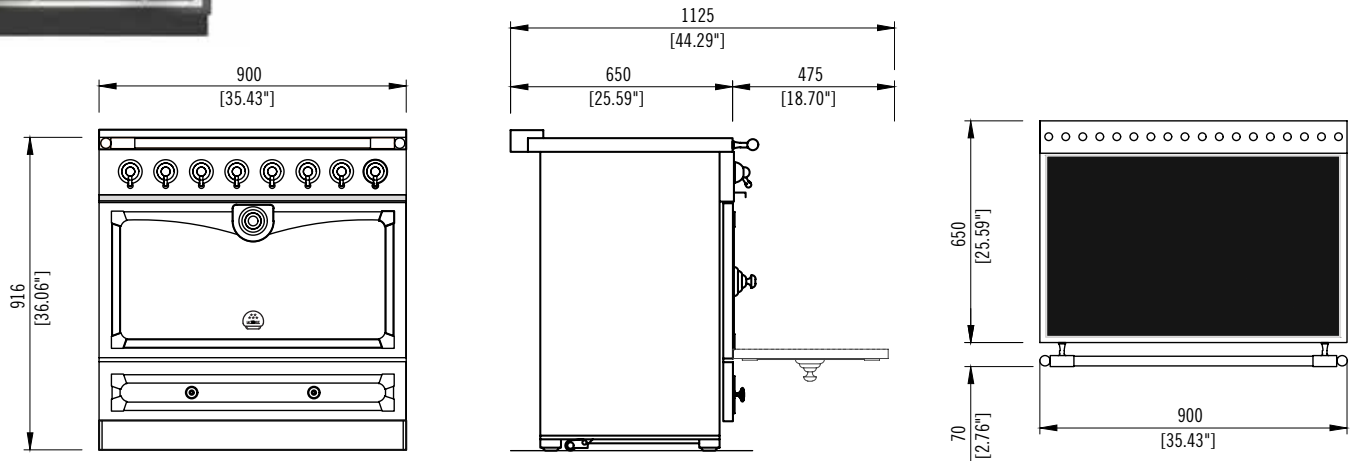


# 90 ALBERTINE INDUCTION: C9-I



Designed especially for the US market, the single oven “Albertine” range is the baby of the CornuFé family. With one large multi-function convection oven, a five zone induction cooktop constructed of durable ceramic glass that easily wipes clean, and one large storage drawer. The CornuFé 90 is available in 8 classic colors, 4 Suzanne Kasler Couleurs and 3 trim accent choices of Polished Brass, Satin Chrome and Polished Chrome.



## SPECIFICATIONS

### CORNUFÉ 90 “ALBERTINE” INDUCTION: C9-I

900 W x 711 D x 911 (936 max) H (mm)  
 35.4 W x 28 D x 35.8 (36.9 max) H (inches)  
 315 lb uncrated, 410 lb Crated  
 High-performance 5 zone induction cooktop  
 Large electric convection oven

**Standard Color Retail: \$9,500**

**Suzanne Kasler Color Collection Retail: \$10,200**

#### Induction Cooktop ratings:

Front Left: 1.4 kW (Max) 2.2 kW (Boost)

Rear Left: 1.85 kW (Max) 3.0 kW (Boost)

Center: 2.3 kW (Max) 3.7 kW (Boost)

Front Right: 1.85 kW (Max) 3.0 kW (Boost)

Rear Right: 1.85 kW (Max) 3.0 kW (Boost)

*Note: Front Right and Rear Right Burners can be bridged*

## POWER

Voltage: 240v; 60Hz, 50 AMP

## FINISHES

*Eight Standard Body Colors:* Gloss Black, Matte Black, Stainless Steel, Ivory, Pure White, Dark Navy Blue, Royal Blue and Provence Blue

*Four Suzanne Kasler’s Collection Colors:* Liberte, Blanc, Tapestry and Roquefort

*Three Trim Options:* Stainless Steel with Satin Chrome accents, Stainless Steel with Polished Brass accents, Stainless Steel with Polished Chrome accents

\*Side panels are stainless steel for all colors except Gloss Black, Matte Black and Dark Navy Blue ranges have flat black side panels.

#### Ovens:

Enameled steel door with glass inner door

Electric convection oven featuring 7 cooking modes

2 Convection Fans, 8 Heating Elements

1 Deluxe oven tray

1 Large Tray Equipped with Broil Pan

1 Pastry Tray

2 Telescopic Racks

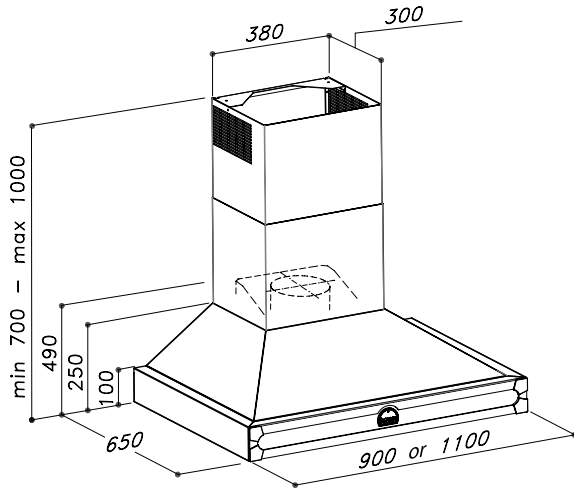
714 W x 389 D x 381 H (mm)

28.1 W x 15.3 D x 15 H (inches)

3.81 cubic feet

# 90 ALBERTINE INDUCTION: C9-I

## CORNUFÉ SERIES HOOD



### CORNUFÉ 90 HOOD: H9

900 W x 650 D x 700 H (mm)  
 35.4 W x 25.6 D x 27.5 H (inches)  
 Traditional wall-mounted chimney hood  
 Available in all color and trim options  
 4-Speed Variable Motor  
 One 600 CFM blower – unobstructed air flow with Ø6" duct  
 Remote Control and In-Hood Activation Controls  
 Three 20W high-intensity lights  
 2 dishwasher-safe baffle filters with grease capture system  
 Voltage: 120v; 60Hz, total rating: 425W, 3.6 AMP  
 Telescopic flue cover extends to maximum hood height of 39.3" (1000 mm)

**Standard Color Retail: \$4,770**

**Suzanne Kasler Color Collection Retail: \$5,150**

## CORNUFÉ SERIES DETAILS & ACCESSORIES

### STANDARD BODY COLORS

N	Matte Black
M	Gloss Black
I	Stainless Steel
W	Pure White
V	Ivory
D	Dark Navy Blue
R	Royal Blue
L	Provence Blue

### TRIM OPTIONS

	Trim	Accents	Rails
N	Stainless Steel	Satin Chrome	Stainless Steel
F	Stainless Steel	Polished Brass	Polished Brass
P	Stainless Steel	Polished Chrome	Polished Stainless Steel

**Note:** The Polished Brass Trim is natural, non coated metal and will patina over time.

### SUZANNE KASLER COLOR COLLECTION

T	Liberte (Special Order)
C	Blanc
A	Tapestry
Q	Roquefort

### ACCESSORIES:

Part Number	Description	Price
09KIRSIR01	Recirculating kit for CornuFe Hood	\$335

Please confirm inventory status at time of order.