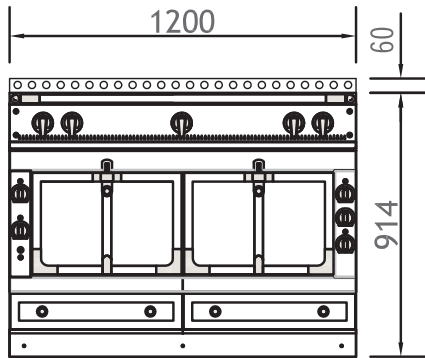


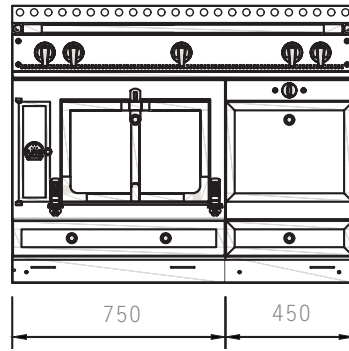
120 & 120 WD: G42 & G41



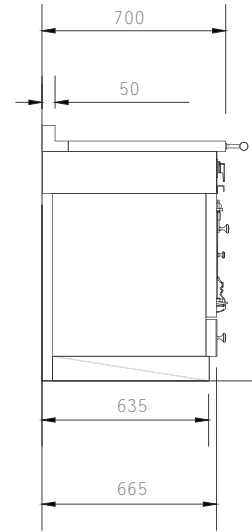
The Chateau 120 range embodies an impressive cooking capability in a deceptively small package. Measuring nearly 48", this robust range features two vaulted ovens, one gas and one electric, and eight possible rangetop configurations. A Châtelet 120 is also available, which features one standard gas or electric oven and one warming cupboard.



SHOWN: G42



SHOWN: G41



SPECIFICATIONS

CHÂTEAU 120: G42

1200 W x 700 D x 914 H (mm)
47.2 W x 27.6 D x 36 H (inches)
Approx. 490 lb. uncrated, 780 lb. crated
Choice of 8 top configurations

Traditional 3-Element Cooktop configuration starting from \$45,400

Traditional 4-Element with induction Cooktop configuration starting from \$49,275

All Induction Cooktop configuration starting from \$50,000

CHÂTELET 120 WD: G41

1200 W x 700 D x 914 H (mm)
47.2 W x 27.6 D x 36 H (inches)
Approx. 500 lb. uncrated, 800 lb. crated
Choice of 8 top configurations

Traditional 3-Element Cooktop configuration starting from \$44,300

Traditional 4-Element with induction Cooktop configuration starting from \$48,175

All Induction Cooktop configuration starting from \$48,700

CHÂTEAU RANGETOP 120: T42

1200 W x 700 D x 200 H (mm)
47.2 W x 27.6 D x 7.9 H (inches)
Approx. 200 lb. uncrated, 300 lb. crated
Choice of 8 top configurations

Traditional 3-Element Cooktop configurations starting from \$15,600

Traditional 4-Element with induction Cooktop configuration starting from \$19,475

All Induction Cooktop configuration starting from \$17,100

TRADITIONAL CHÂTEAU COOKTOP CONFIGURATION RANGES INCLUDE:

- 1 Vaulted Gas Oven with Electric Broiler (left)
- 1 Vaulted Electric Oven with Electric Broiler (right)

ALL INDUCTION CHÂTEAU COOKTOP CONFIGURATION RANGE INCLUDES:

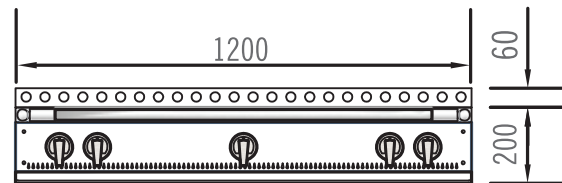
- 2 Vaulted Electric Ovens with Electric Broilers

TRADITIONAL CHÂTEAU COOKTOP CONFIGURATION RANGES INCLUDE:

- 1 Vaulted Gas Oven with Electric Broiler OR
- 1 Vaulted Electric oven with Electric Broiler
- AND
- 1 Electric Warming Drawer with temperature ranging from 130 – 240 F

ALL INDUCTION CHÂTEAU COOKTOP CONFIGURATION RANGE INCLUDES:

- 2 Vaulted Electric Ovens with Electric Broilers
- AND
- 1 Electric Warming Drawer with temperature ranging from 130 – 240 F



LE CHÂTEAU OPTIONS

Enamel and Metal Body Options: Chateau ranges are available in a variety of 50 enamel or metal body finishes, and can also be customized in a one-of-a-kind color. Prices may vary depending on colors selected.

Trim Options: Polished Brass, Brushed Brass, Brushed Stainless Steel, Brushed Nickel, Polished Chrome, Polished Copper, Matte Black, Black Shiny Chrome, Matte Bronze, Brushed Copper and Polished Stainless Steel. Prices may vary depending on trims selected.



120 & 120 WD: G42 & G41

RANGETOP CONFIGURATIONS



120 US E0
 2 gas burners (small burner at the back)
 1 Plaque "French Top" (large)
 2 gas burners (small burner at the back)



120 US E1
 2 gas burners (small burner at the back)
 1 maxi burner
 2 gas burners (small burner at the back)



120 US E2
 2 gas burners (small burner at the back)
 1 Plaque "French Top" (large)
 1 gas lava-rock grill



120 US E4*
 2 gas burners (small burner at the back)
 1 Plaque "French Top" (large)
 2 induction plates



120 US E5
 2 gas burners (small burner at the back)
 1 Plaque "French Top" (large)
 1 large electric Teppan-Yaki

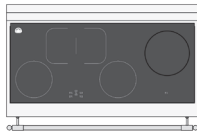


120 US ED*
 2 gas burners (small burner at the back)
 1 Plaque "French Top" (small)
 2 gas burners (small burner at the back)
 2 induction plates



120 US EF
 2 gas burners (small burner at the back)
 1 maxi burner
 1 large electric Teppan-Yaki

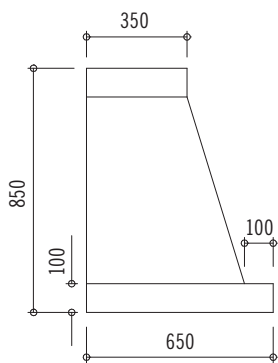
*Induction element incurs an upcharge of \$2,275 per element



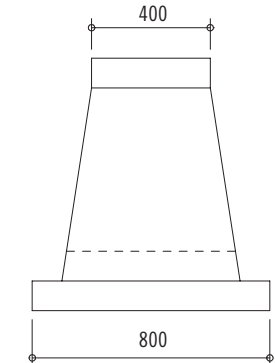
120 SEI
 Full Induction 120 Plate includes:
 2 rectangular burners
 2 circular burners
 1 large circular burner

CHÂTEAU SERIES HOODS

Since every installation is unique, Hotte Chateau hoods are sold without a blower system, as a shell-only. Motorized hoods are available for standard wall-mounted Hotte Chateau. Please contact your local HVAC contractor to discuss specific installation requirements. La Cornue does offer standard Chateau hood models with blower option, as noted below. For custom inserts, please inquire with Middleby Residential directly.

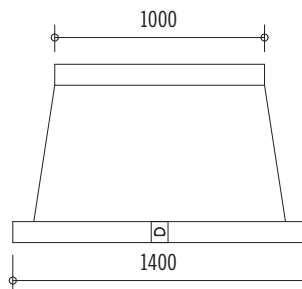


Standard Configuration Wall Hood
 Side View



Standard Configuration Island Hood
 Side View

Traditional wall mounted hood. Island Hoods are also available. Custom Hoods available by quote. Hood height may be increased up to 1500 mm/ 59 inches by adding height to the upper band (total maximum height would be 2250 mm/88.5 inches).



HOTTE CHATEAU 120: H42T0
 1400 W x 850 H x 650 D (mm)
 55.1 W x 33.5 H x 25.6 D (inches)
 Shell-Only Starting from \$10,300
 Motorized Hood Starting from \$13,300
 Island configuration: H42C0
 Starting from \$17,700
 Motorized Island Hood Starting from: \$20,300

*Motorized Factory installed blower and liner are available for the Chateau Hotte wall mounted hoods only. Motorized hoods include a 1200 CFM blower for all two oven cookers and a 600 CFM blower for all one oven cookers. They also include, liner, lights, mesh magnetic filters and a remote control.