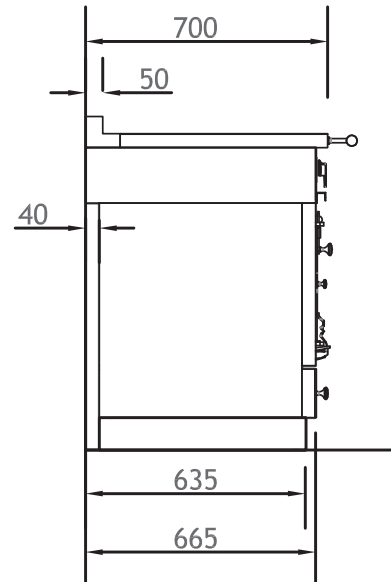
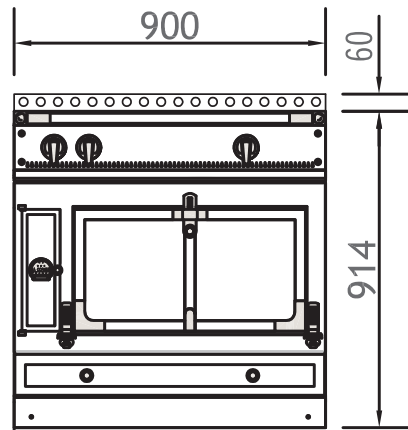


90: G49



The Chateau 90 is small but impressive, perfect for smaller kitchens deserving of a powerful yet compact range. With one grand vaulted oven in either gas or electric, this range measures just under 36" and offers six rangetop options to maximize performance.



SPECIFICATIONS

CHÂTEAU 90: G49

900 W x 700 D x 914 H (mm)
 35.4 W x 27.6 D x 36 H (inches)
 Approx. 330 lb. uncrated, 600 lb. crated
 Choice of 6 top configurations

Traditional Cooktop configurations starting from \$34,700
All Induction Cooktop configuration starting from \$38,200

TRADITIONAL CHÂTEAU COOKTOP CONFIGURATION RANGES INCLUDE:

- 1 Grand Vaulted Gas Oven with Electric Broiler *or*
- 1 Grand Vaulted Electric Oven with Electric Broiler

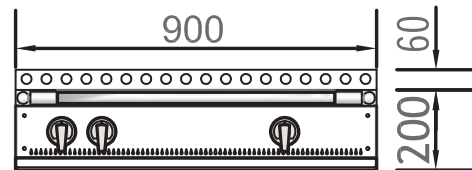
ALL INDUCTION CHÂTEAU COOKTOP CONFIGURATION RANGE INCLUDES:

- 2 Vaulted Electric Ovens with Electric Broilers

CHÂTEAU RANGETOP 90: T49

900 W x 700 D x 200 H (mm)
 35.4 W x 27.6 D x 7.9 H (inches)
 Approx. 150 lb. uncrated, 250 lb. crated
 Choice of 6 top configurations

Traditional Cooktop configurations starting from \$14,600
All Induction Cooktop configuration starting from \$17,100



LE CHÂTEAU OPTIONS

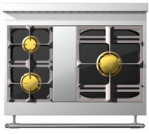
Enamel and Metal Body Options: Chateau ranges are available in a variety of 50 enamel or metal body finishes, and can also be customized in a one-of-a-kind color. Prices may vary depending on colors selected.

Trim Options: Polished Brass, Brushed Brass, Brushed Stainless Steel, Brushed Nickel, Polished Chrome, Polished Copper, Matte Black, Black Shiny Chrome, Matte Bronze, Brushed Copper and Polished Stainless Steel. Prices may vary depending on trims selected.



90 : G49

RANGETOP CONFIGURATIONS



90 US C1
2 gas burners (small burner at the back)
1 maxi burner



90 US C2
2 gas burners (small burner at the back)
1 Plaque "French Top" (small)
2 gas burners (small burner at the back)



90 US C3
2 gas burners (small burner at the back)
1 Plaque "French Top" (small)
1 gas lava-rock grill

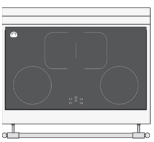


90 US C5*
2 gas burners (small burner at the back)
1 Plaque "French Top" (small)
2 induction plates



90 US CC*
2 induction plates
1 large electric Teppan-Yaki

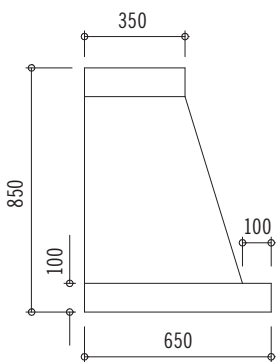
*Induction element incurs an upcharge of \$2,275 per element



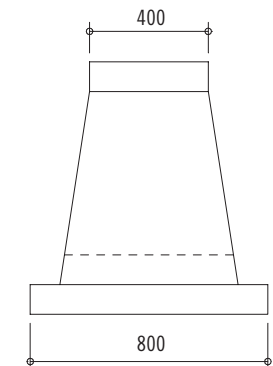
90 US C1
Full Induction 90 Plate includes:
2 rectangular burners
2 circular burners

CHÂTEAU SERIES HOODS

Since every installation is unique, Hotte Chateau hoods are sold without a blower system, as a shell-only. Motorized hoods are available for standard wall-mounted Hotte Chateau. Please contact your local HVAC contractor to discuss specific installation requirements. La Cornue does offer standard Chateau hood models with blower option, as noted below. For custom inserts, please inquire with Middleby Residential directly.

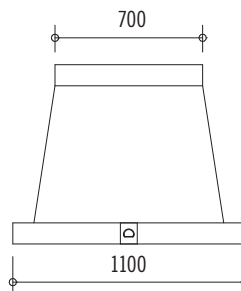


Standard Configuration Wall Hood
Side View



Standard Configuration Island Hood
Side View

Traditional wall mounted hood. Island Hoods are also available. Custom Hoods available by quote. Hood height may be increased up to 1500 mm/ 59 inches by adding height to the upper band (total maximum height would be 2250 mm/88.5 inches).



HOTTE CHATEAU 90: H11T0
1100 W x 850 H x 650 D (mm)
43.3 W x 33.5 H x 25.6 D (inches)
Shell-Only Starting from \$8,600
Motorized Hood Starting from \$11,300
Island configuration: H11C0
Starting from \$14,800
Motorized Island Hood Starting from: \$16,700

*Motorized Factory installed blower and liner are available for the Chateau Hotte wall mounted hoods only. Motorized hoods include a 1200 CFM blower for all two oven cookers and a 600 CFM blower for all one oven cookers. They also include, liner, lights, mesh magnetic filters and a remote control.