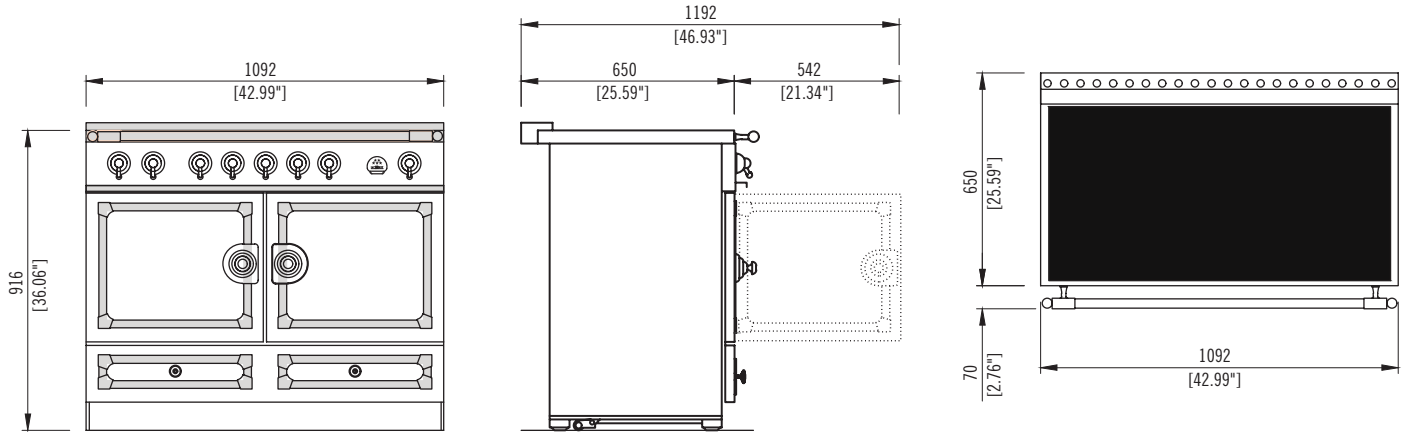


110 INDUCTION: C1-I



The original CornuFé range, this 43" range is your first La Cornue love. It's available in 8 classic colors, 4 Suzanne Kasler Couleurs and 3 trim accent choices of Polished Brass, Satin Chrome and Polished Chrome. The CornuFé 110 features two electric convection ovens, one of which is a seven mode multifunction oven, the other an electric convection oven, a five zone powerful induction cooktop constructed of durable ceramic glass that easily wipes clean, and one large storage drawer.



SPECIFICATIONS

CORNUFÉ 110 INDUCTION: c1-i

1092 W x 720 D x 915 (942 max) H (mm)
 43 W x 28.6 D x 36.3 (36.9 max) H (inches)
 350 lb. uncrated 465 lb. crated
 High-performance 5 zone induction cooktop
 Double electric convection ovens

Standard Color Retail: \$11,700

Suzanne Kasler Color Collection Retail: \$12,400

Induction Cooktop ratings:

Front Left: 1.4 kW (Max) 2.2 kW (Boost)
 Rear Left: 1.85 kW (Max) 3.0 kW (Boost)
 Center: 2.3 kW (Max) 3.7 kW (Boost)
 Front Right: 1.85 kW (Max) 3.0 kW (Boost)
 Rear Right: 1.85 kW (Max) 3.0 kW (Boost)

POWER

Voltage: 240v; 60Hz, 50 AMP

FINISHES

Eight Standard Body Colors: Gloss Black, Matte Black, Stainless Steel, Ivory, Pure White, Dark Navy Blue, Royal Blue and Provence Blue

Four Suzanne Kasler's Collection Colors: Liberte, Blanc, Tapestry and Roquefort

Three Trim Options: Stainless Steel with Satin Chrome accents, Stainless Steel with Polished Brass accents, Stainless Steel with Polished Chrome accents

*Side panels are stainless steel for all colors except Gloss Black, Matte Black and Dark Navy Blue ranges have flat black side panels.

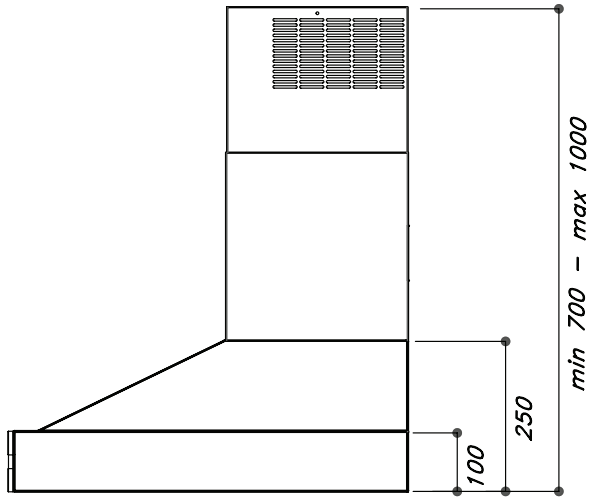
Ovens:

French side-swing enameled steel doors
 2 Electric Convection Ovens, one of which features 7 cooking modes
 4 Interior Oven Racks Included (2 flat racks, 2 dropped racks)
 2 Enamel Baking Trays and 1 Trivet
 Left Oven: 430 W x 370 D x 380 H (mm)
 16.9 W x 14.6 D x 15 H (inches)
 2.2 cubic feet
 Right Oven: 430 W x 370 D x 410 H (mm)
 16.9 W x 14.6 D x 16.2 H (inches)
 2.39 cubic feet



110 INDUCTION: C1-I

CORNUFÉ SERIES HOOD



CORNUFÉ 110 HOOD: H1

- 1100 W x 650 D x 700 H (mm)
- 43.3 W x 25.6 D x 27.5 H (inches)
- Traditional wall-mounted chimney hood
- Available in all color and trim options
- 4-Speed Variable Motor
- One 600 CFM blower – unobstructed air flow with Ø6" duct
- Remote Control and In-Hood Activation Controls
- Three 20W high-intensity Halogen lights
- 2 dishwasher-safe baffle filters with grease capture system
- Voltage: 120v; 60Hz, total rating: 425W, 3.6 AMP
- Telescopic flue cover extends to maximum hood height of 39.3" (1000 mm)

Standard Color Retail: \$4,885
Suzanne Kasler Color Collection Retail: \$5,250

CORNUFÉ SERIES DETAILS & ACCESSORIES

STANDARD BODY COLORS

N	Matte Black
M	Gloss Black
I	Stainless Steel
W	Pure White
V	Ivory
D	Dark Navy Blue
R	Royal Blue
L	Provence Blue

TRIM OPTIONS

	Trim	Accents	Rails
N	Stainless Steel	Satin Chrome	Stainless Steel
F	Stainless Steel	Polished Brass	Polished Brass
P	Stainless Steel	Polished Chrome	Polished Stainless Steel

SUZANNE KASLER COLOR COLLECTION

T	Liberte (Special Order)
C	Blanc
A	Tapestry
Q	Roquefort

ACCESSORIES:

Part Number	Description	Price
09KIRSIR01	Recirculation Kit	\$335
P030292	CornuFe 110 Extra Flat Rack	\$65

Please confirm inventory status at time of order.