

# CHÂTEAU SUPRÊME GRAND PALAIS 180 AND 150

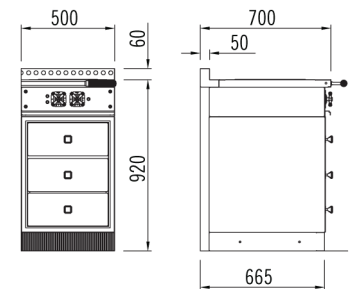
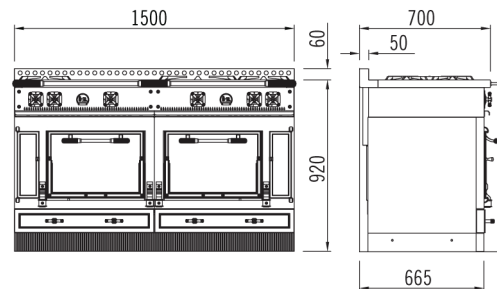
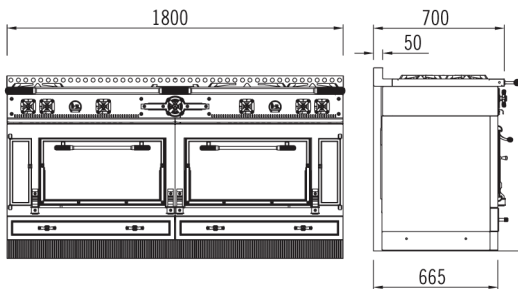


The Château range is an icon of the French art of living throughout the world. Reimagined by Ferris Rafauli, this contemporary version is the ultimate in sophistication. To create it, the designer considered and revised each element of the range to bring out its most distinctive characteristics, taking the precision of the lines and details to a whole new level.

CHÂTEAU SUPRÊME GRAND PALAIS 180

CHÂTEAU SUPRÊME 150

OPTIONAL WARMING DRAWER



## SPECIFICATIONS

### CHÂTEAU SUPRÊME GRAND PALAIS 180

1800 W x 700 D x 914 H (mm)  
70.9 W x 27.6 D x 36 H (inches)  
Approx. 710 lb. uncrated, 1320 lb. crated

#### OPTIONS:

- Two optional warming drawer cabinets, each featuring an electric teppanyaki top *or* stainless steel tops
- Six cooktop configurations (*see reverse side for options*)
- Château Suprême 180 hood, finished to match the range, or in an optional leather-covered exterior

Starting from \$117,000

### CHÂTEAU SUPRÊME 150

1500 W x 700 D x 914 H (mm)  
59.1 W x 27.6 D x 36 H (inches)  
Approx. 620 lb. uncrated, 1230 lb. crated

#### OPTIONS:

- Two optional warming drawer cabinets, each featuring an electric teppanyaki top *or* stainless steel tops
- Three cooktop configurations (*see reverse side for options*)
- Château Suprême 150 hood, finished to match the range, or in an optional leather-covered exterior

Starting from \$113,000

#### OVENS:

- 1 Grand Vaulted Gas Oven with Electric Broiler 22.6W x 19.8D x 11.8H – 3.1 cubic feet (left)
  - 1 Grand Vaulted Electric Oven with Electric Broiler 22.6W x 17.5D x 11.8H – 2.7 cubic feet (right)
- Includes:* interior lighting, cleanemail coating, one electric grill and an oven kit  
(one large grill, one drip pan, one porcelain roasting dish, one raised grill)

#### OVENS:

- 1 Vaulted Gas Oven with Electric Broiler 16.8W x 19.8D x 11.8H – 2.3 cubic feet (left)
  - 1 Vaulted Electric Oven with Electric Broiler 16.8W x 17.5D x 11.8H – 2.0 cubic feet (right)
- Includes:* interior lighting, cleanemail coating, one electric grill and an oven kit  
(one large grill, one drip pan, one porcelain roasting dish, one raised grill)

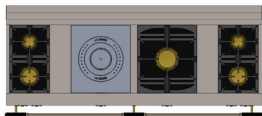
## DETAILS EXCLUSIVE TO ALL CHÂTEAU SUPRÊME RANGES:

- Iconic La Cornue – Ferris Rafauli brand plate
- Four new Château Suprême Colors developed by Ferris Rafauli exclusively for this range, including FR Blue, Essex Green, California Blue and Cloud Gray, as well as being available in most existing Château finishes
- The Ferris Exclusive Trims are the **ONLY** trim options available on the Château Suprême Range (Polished Brass and Polished Nickel *or* Brushed Stainless Steel and Brushed Nickel)
- Burners and French Top engraved with the La Cornue stars
- Solid walnut chopping block included with all cooktop configurations featuring the Lava Rock Grill
- Designer dual-finish control knobs
- Art Deco inspired bezels and toe kick featuring individually aligned moulded bars

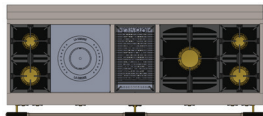
# CHÂTEAU SUPRÊME GRAND PALAIS 180 AND 150



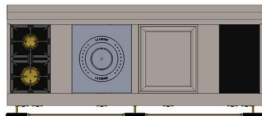
## 180 RANGETOP CONFIGURATIONS



- 180 N1**  
2 gas burners  
1 Large Plaque "French Top"  
1 Power burner  
2 gas burners



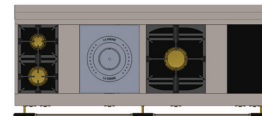
- 180 N1 SPE**  
2 Gas burners  
1 Large Plaque "French Top"  
1 Gas lava-rock grill  
1 Power burner  
2 Gas burners  
Walnut chopping block



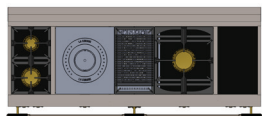
- 180 N2**  
2 gas burners  
1 Large Plaque "French Top"  
1 Large electric Teppanyaki  
2 Induction Plates



- 180 N2 SPE**  
2 Gas burners  
1 Large Plaque "French Top"  
1 Gas lava-rock grill  
1 Large electric Teppanyaki  
2 Induction Plates  
Walnut chopping block

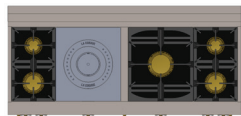


- 180 NM**  
2 gas burners  
1 Large Plaque "French Top"  
1 Power burner  
2 Induction Plates

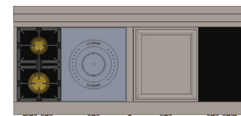


- 180 NM SPE**  
2 gas burners  
1 Large Plaque "French Top"  
1 Gas lava-rock grill  
1 Power burner  
2 Induction Plates  
Walnut chopping block

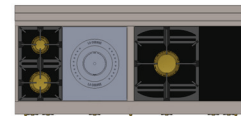
## 150 RANGETOP CONFIGURATIONS



- 150 K1**  
2 Gas burners  
1 Large Plaque "French Top"  
1 Power burner  
2 Gas burners

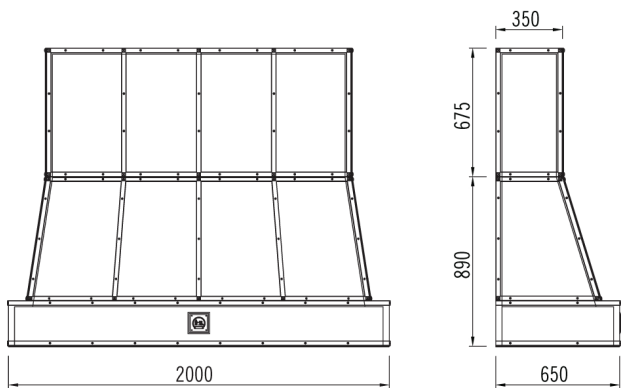


- 150 K2**  
2 Gas burners  
1 Large Plaque "French Top"  
1 Large electric Teppanyaki  
2 Induction Plates

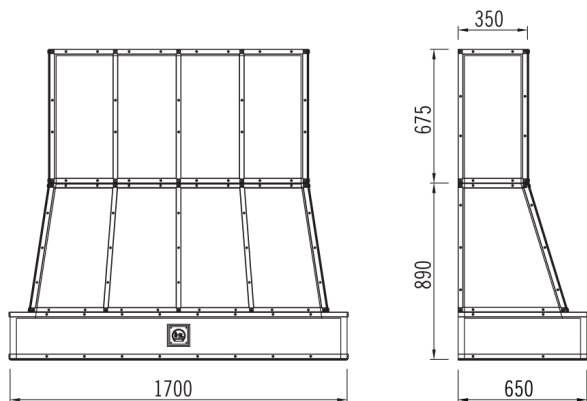


- 150 KM**  
2 Gas burners  
1 Large Plaque "French Top"  
1 power burner  
2 Induction Plates

CHÂTEAU SUPRÊME HOOD 180



CHÂTEAU SUPRÊME HOOD 150



## CHÂTEAU SUPRÊME SERIES HOODS

With remarkable performance, the Château Suprême Hood by Ferris Rafauli has been designed to allow you to cook with convenience while keeping the unique Art Deco signature of the range. Available in four new exclusive Château Suprême Colors, as well as in all existing Château paint colors and metal finishes. Exclusive to The Château Suprême Hood is the option to finish the exterior in genuine leather. The Château Suprême Hood by Ferris Rafauli is available in both the 180 & 150 sizing, and adds a unique designer presence to any kitchen.

### CHÂTEAU SUPRÊME HOOD 180

2000 W x 650 D x 1565 H (mm)  
78.7 W x 25.6 D x 61.6 H (inches)  
Weight: 728 lbs  
6 Baffle Filters  
6 LED Lights  
1200 CFM Internal Blower  
**Starting from \$27,000**

### CHÂTEAU SUPRÊME HOOD 150

1700 W x 650 D x 1565 H (mm)  
66.9 W x 25.6 D x 61.6 H (inches)  
Weight: 684 lbs  
3 Baffle Filters  
5 LED Lights  
1200 CFM Internal Blower  
**Starting from \$24,000**